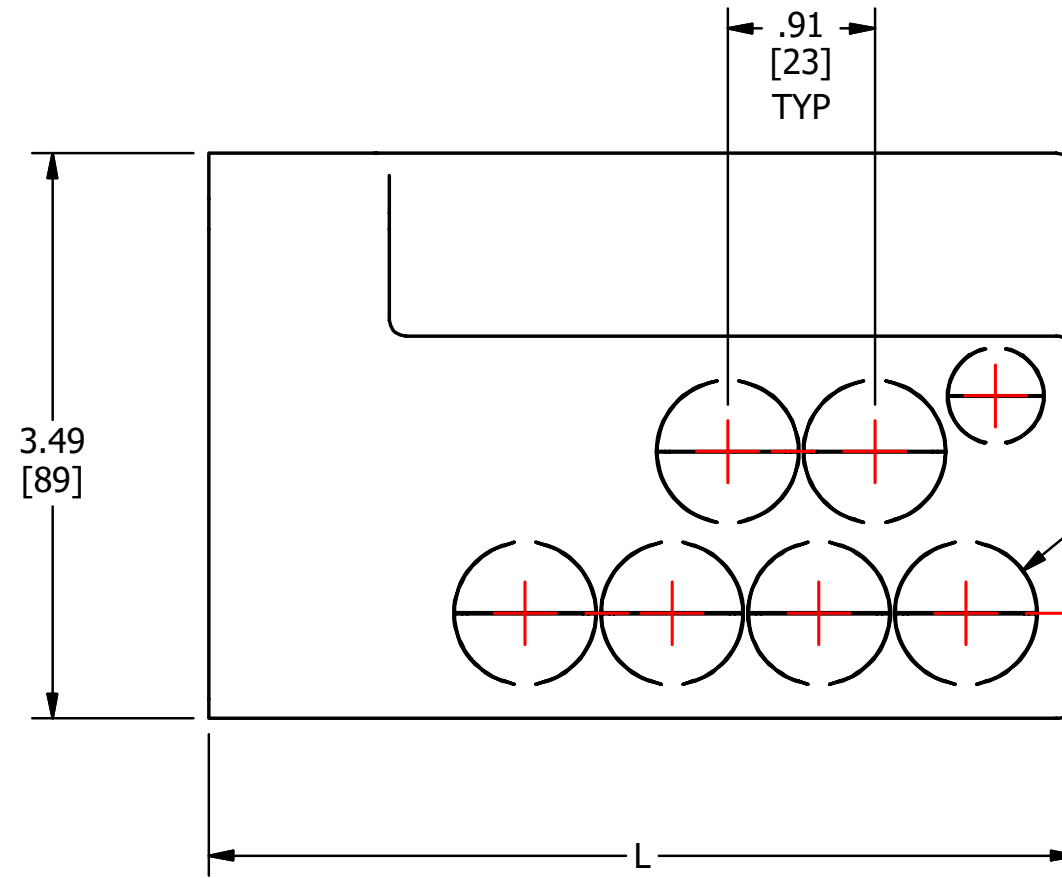
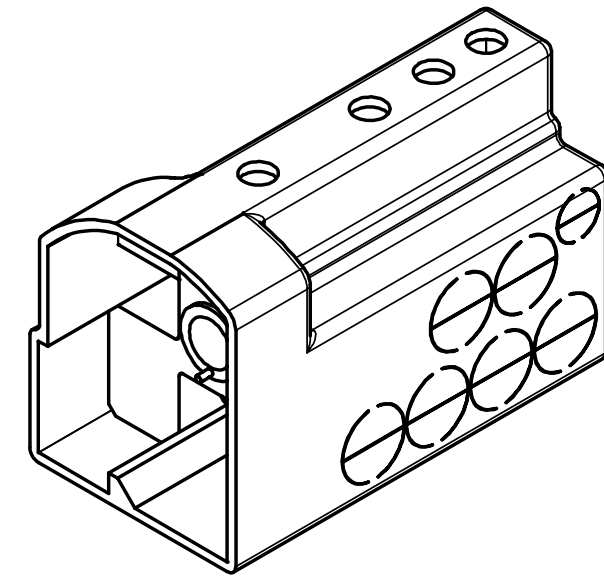
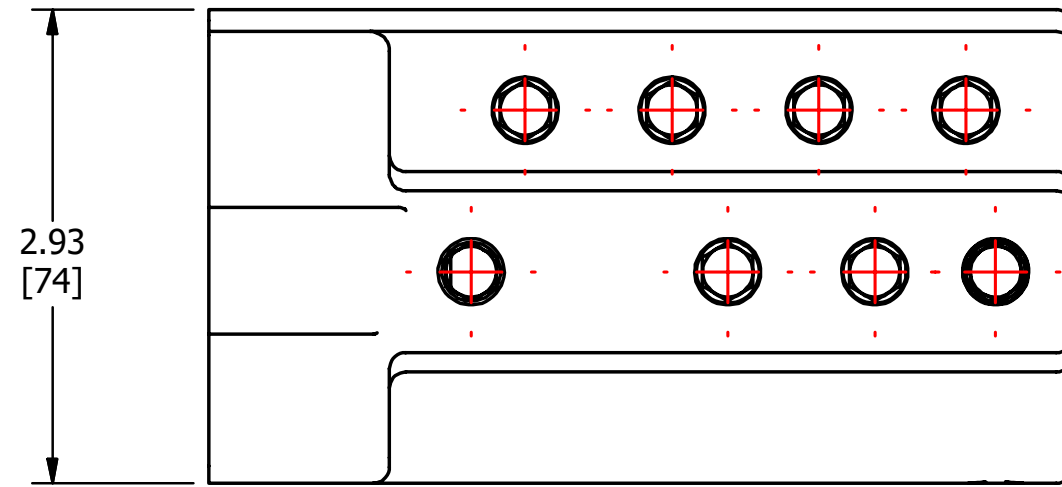


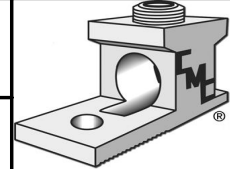
S.NO	CATALOG NUMBER	L	N
1	ZQ6-350SLCI	5.37 [136]	6
2	ZQ8-350SLC	6.28 [160]	8
3	ZQ8-350SLCI	6.28 [160]	8



**MATERIAL:**  
CONNECTOR: ALUMINUM  
COVER: PLASTISOL

CONDUCTOR RANGE: 350 KCMIL -12  
(AL-CU)

					TO ORDER CMC PRODUCTS	DRAWN BY: TS	NAME OF PART:	CAT. NO.:
					UNITED STATES 1-513-860-4455	12-17-19	STUD-MOUNT CONNECTOR	SEE TABLE
					CANADA 1-800-361-6975	CHECKED BY:	DWG NO:	A
					MEXICO 011-52-722-265-4400		C58701495CI-S (CHARTED)	
A	NEW DRAWING CREATED		12-17-19	TS	FOR PRODUCT INFO www.cmcugs.com	DRAWING NOT TO SCALE		SHEET NO: 1 OF 1



THIS INFORMATION IS PROPRIETARY TO CONNECTOR MFG. CO. AND IS NOT TO BE DISCLOSED OUTSIDE OF CONNECTOR MFG. CO. WITHOUT A CONFIDENTIALITY AGREEMENT



**CONNECTOR MANUFACTURING CO.**

HAMILTON, OHIO